

YC4A100Z-D20

Prime power: 70 kW @ 1500 r/min

Standby power: 73.5 kW @ 1500 r/min

For clients in the places where emission regulations have not been implemented yet.

Introduction

YC4A series engine is a classic engine product developed by Yuchai, which is well-known and highly recognized in the market and has market holdings of more than 400,000 sets. YC4A100Z-D20 engines for generator sets, developed based on YC4A engines, have advantages such as high reliability, durability, energy-saving and environment-friendly, compact structure, strong transient loading capacity and easy maintenance.

Product Features

- ◆ The main structures, such as engine body, are time-tested, which ensures the high reliability of the whole engine.
- ◆ Crankshaft torsional vibration damper is optimized, reducing torsional vibration of the shaft system.
- ◆ Damping gears and gear room structure are optimized, reducing the noise of the entire engine.
- ◆ Advanced and mature high-efficiency turbocharged & intercooled technology is adopted, ensuring sufficient air inflow and ensuring sufficient combustion of the diesel engine with low fuel consumption and less emission under different load conditions.
- ◆ With electronic speed governing, requirements for generator unit performance grade G3 are satisfied.

Version No.: 2020V01

Implemented on: 2020-07-01



(Image shown may not reflect actual engine)

Product Service

- ◆ Service: Yuchai has built the largest service network in the industry with the minimum service radius, the most extensive “three guarantees” and the shortest response time. 49 global offices are set up, including 14 overseas offices in Europe, Africa and South America etc. Besides, 108 overseas service agents, more than 3,000 service stations and 5,000 sales networks of fittings are established, providing the users with satisfying and considerate services.
- ◆ 24h global service hotline: +86 95098.

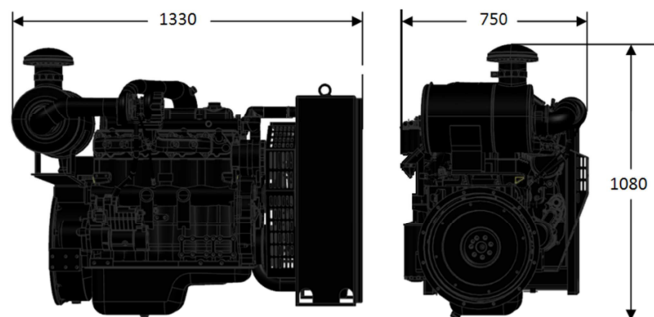
Engine speed	Application	Standard generator unit output		Engine power			
				Total power		Net power	
r/min		kVA	kW	kW	Ps	kW	Ps
1500	Prime	72.5	58	70	95	67	91
	Standby	80	64	73.5	100	70	95

Notes:

1. Prime Power: which corresponds to the basic power (PRP) described in ISO 8528. Implement the maintenance according to the Yuchai's requirement, maximum power of variable load continuous output unlimited time. The average output power shall not exceed 70% of the prime power in every 24 hours of operation.
Standby Power: In correspondence with the emergency standby power (ESP) stated in ISO 8528. Implement the maintenance according to the Yuchai's requirement, maximum power at a variable load in the event of a main power network failure up to a maximum of 200 hours per year. The average output power shall not exceed 70% of the standby power in every 24 hours of operation.
2. The engine power data stated in the table is the measured performance under the condition stated in ISO 8528-1 and ISO 3046.
3. The power output of the generator unit is calculated according to the efficiency of the AC generator. Thus, it is for reference only.
4. The kVA and kW values are converted as per standard power factor 0.8.
5. The information mentioned above is the latest one, however, the relevant information may be altered after publication.

Engine load	1500 r/min	
	g/ (kW·h)	L/h
Standby power	213.5	18.8
Prime power	212.9	17.8
75%Prime power	212.9	13.4
50%Prime power	223.8	9.4

Remarks: the diesel oil density is 0.835g/cm³.



Technical Data

Type	Vertical, in-line, water-cooled, four-stroke
Induction system	Turbocharged
Type of combustion chamber	Direct-injection reentrant ω combustion chamber
Cylinder quantity - Bore x stroke	4-108×132mm
Number of valve per cylinder.	2
Displacement	4.84L
Compression ratio	17.5:1
Cylinder type	Wet-type cylinder sleeve
Working sequence	1-3-4-2
Fuel supply system	Mechanical pump + electronic governor
Lubrication mode	Combination of pressure and splashing
Starting mode	Electronic
Engine oil capacity	15L (dry-type engine)
Engine oil and fuel consumption ratio	≤0.2%
Rotation	Anticlockwise (facing the power delivery end)
Minimum no-load speed.	(600~650)r/min
Speed-regulation grade	ISO 8528 G3 (electronic speed governing)
Noise Lp	≤91dB(A)
Total dry weight	
Engine	465kg
Radiator	41kg

The final weight and sizes of the engine varies according to the specific arrangement.

Engine Arrangement

- **Air Intake System**
 - Air filter
- **Cooling system**
 - Radiator (optional)
- **Electrical device**
 - 24V/12V electrical system
 - Inlet preheater (optional)
- **Fuel system**
 - Mechanical pump + electronic governor
 - Fuel Filter
- **Lubrication system**
 - Engine oil filter
- **Flywheel and flywheel housing**
 - SAE 11.5" flywheel
 - SAE 3# flywheel housing
- **Documents**
 - Operation Instruction
 - Installation Guide
 - Parts catalog

Fuel grade: Summer: 0# and 10# ordinary diesel oil of GB 252-2015 premium grade or first grade. Winter: 0#, -10#, -20#, and -35# ordinary diesel oil of GB 252-2015 premium grade or first grade.

Oil brand: 15W-40 in summer; 10W-30 or other environmentally suitable diesel engine oils with the quality grade not lower than Grade CH-4 as provided in GB 11122-2006 in winter.