

YC6MJ540-D30

Prime power: 365 kW @ 1500 r/min

Standby power: 402 kW @ 1500 r/min

Emission regulations to be observed:

GB 20891-2014 Stage III

Introduction

YC6MJ series engine after more than 10 years market trial, is widely used in heavy bus, heavy truck, engineering machinery, ship and generator set. After its configuration is upgraded to electronically-control high pressure common rail, the emission meets the requirements for non-road stage III; and it is characterized by sufficient margin, stronger dynamic performance, less fuel consumption and better transient loading capability.

Product Features

- ◆ Integral crankcase and integral cylinder head are adopted, which ensure good reliability. Wet cylinder liner is adopted, which ensures the wear resistant and easy maintenance.
- ◆ High-strength alloy crankshaft is adopted, which ensures good wear resistance, and long service life.
- ◆ The internal cooling oil passage technology is adopted for piston, which ensures high temperature resistance and good reliability.
- ◆ Advanced and mature electronically-control high pressure common rail fuel system and secondary injection technology

Version No.: 2021V01 Implemented on: 2021-4-20



are adopted, ensuring better dynamic performance and lower fuel consumption.

- ◆ G3 performance requirements for generator set are met.

Product Service

- ◆ Service: Yuchai has built the largest service network in the industry with the minimum service radius, the most extensive "three guarantees" and the shortest response time. 49 global offices are set up, including 14 overseas offices in Europe, Africa and South America etc. Besides, 108 overseas service agents, more than 3,000 service stations and 5,000 sales networks of fittings are established, providing the users with satisfying and considerate services.
- ◆ 24h global service hotline: +86 95098.

Engine speed	Application	Standard generator unit output		Engine power			
				Total power		Net power	
r/min		kVA	kW	kW	Ps	kW	Ps
1500	Prime	400	320	365	497	351	478
	Standby	450	360	402	547	387	527

Notes:

1. Prime Power: which corresponds to the basic power (PRP) described in ISO 8528. Implement the maintenance according to the Yuchai's requirement, maximum power of variable load continuous output unlimited time. The average output power shall not exceed 70% of the prime power in every 24 hours of operation.

Standby Power: In correspondence with the emergency standby power (ESP) stated in ISO 8528. Implement the maintenance according to the Yuchai's requirement, maximum power at a variable load in the event of a main power network failure up to a maximum of 200 hours per year. The average output power shall not exceed 70% of the standby power in every 24 hours of operation.

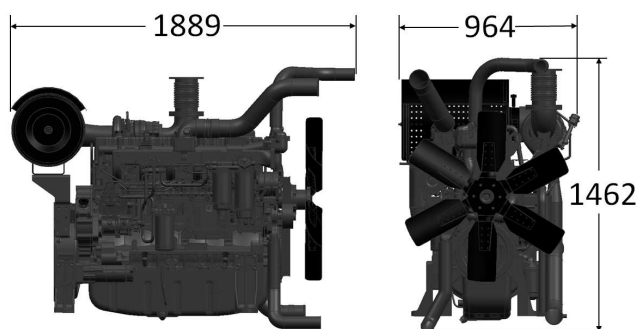
2. The engine power data stated in the table is the measured performance under the condition stated in ISO 8528-1 and ISO 3046.
3. The power output of the generator unit is calculated according to the efficiency of the AC generator. Thus, it is for reference only.
4. The kVA and kW values are converted as per standard power factor 0.8.
5. The information mentioned above is the latest one, however, the relevant information may be altered after publication.

Engine load	1500 r/min	
	g/ (kW·h)	L/h
Standby power	202.6	97.5
Prime power	201.1	87.9
75% prime power	205.5	67.4
50% prime power	206.3	45.0

Remarks: the diesel oil density is 0.835 kg/L.

Technical Data

Type ... Vertical, in-line, water-cooled, four-stroke
 Aspiration..... Turbocharged & Intercooled
 Type of combustion chamber
Direct-injection reentrant ω combustion chamber
 Number of cylinders - bore × stroke... ..6-131×145mm
 Number of per cylinder valves4
 Displacement11.73L
 Compression ratio14:1
 Cylinder type..... Wet cylinder liner
 Firing order.....1-5-3-6-2-4
 Fuel supply systemHigh pressure common rail
 Lubrication method... ..Pressure & splash
 Starting mode.Electronic
 Oil capacity... ..37L
 Oil-fuel ratio... ..≤0.1%
 Rotation.....Counterclockwise (viewed from the flywheel end)
 Minimum no-load speed... .. (650~700) r/min
 Speed control performance level.... .. ISO 8528 G3
 Noise Lp100dB(A)
 Total dry weight
 Engine.....1050kg
 Water tank radiator155kg
 The final weight and size of the engine may vary from specific configuration.



Engine Arrangement

➤ Air Intake System

Air filter
 Turbocharger

➤ Cooling system

Radiator (optional)

➤ Electrical device

24 V electric system
 Inlet preheater

➤ Fuel system

Fuel Filter
 Mechanical oil delivery pump

➤ Lubrication system

Engine oil filter

➤ Flywheel and flywheel housing

SAE 14" flywheel
 SAE 1# flywheel housing

➤ Documents

Operation Instruction
 Installation Guide
 Parts catalog

Fuel grade: Summer: 0# and 10# ordinary diesel oil of GB 252 - 2015 premium grade or first grade; Winter: 0#, -10#, -20# and -35# ordinary diesel oil of GB 252 - 2015 premium grade or first grade.
 Oil brand: 15W-40 in summer; 10W-30 or other environmentally suitable diesel engine oils with the quality grade not lower than Grade CH-4 as provided in GB 11122-2006 in winter.